

be.pure

## ENYA 2.0 with KATARA



CONNECT & SET UP

  
be.pure

[www.bepure-water.com](http://www.bepure-water.com)

# ENYA 2.0 with KATARA

## 1 Connect

### Note

The installation and/or inspection of water installations and live electrical equipment must only be carried out by qualified personnel. The following instructions are examples and do not entitle the user to carry out the work themselves under any circumstances.

All installations, calibrations and adjustments must be carried out by qualified and trained personnel. Changes to pipes or fittings must be carried out by authorised plumbing specialists.

These devices are only suitable for treating water from public drinking water networks that meet the requirements of the applicable drinking water regulations. If you use the system for water from other sources, e.g. well water, or for other purposes, such as supplying an aquarium, no liability is accepted for any consequences and no guarantee is given for the proper functioning of the system.

### Connecting KATARA to ENYA 2.0

To connect ENYA 2.0 to KATARA, first carry out all the steps described in the manual in sequence. Finally, connect the hose coming out of the right-hand side of the BackSafety to the respective device on the rear with IN H<sub>2</sub>O and secure it with a red safety clip.

#### Only for KATARA HOT

To connect the HOT connection to ENYA 2.0, a suitable connector (Y-piece 5/16) is included in the scope of delivery. To do this, use the hose cutter to cut two equal pieces (approx. 20 cm) from the white hose. Connect these to the Y-piece (double outlet) and secure them with red safety clips. Connect the other two ends to KATARA HOT and H<sub>2</sub>O IN on the rear and secure them with red safety clips.

# ENYA 2.0 with KATARA

## 2 Set up

### Adjusting the water pressure



The pressure reducing valve must be adjusted so that when tapping CO<sub>2</sub> water from KATARA, the device switches off briefly after about 20-30 seconds (humming noise) and then switches back on automatically.

**To check whether the device is working properly:**

Hold a large container under the dispensing point and press and hold the button (carbon dioxide). The device will switch off automatically after a while. Time how long it takes for the device to switch off. If the device does not switch off within the specified time, the valve must be adjusted.

The device must not be left running continuously, as this will cause a malfunction.

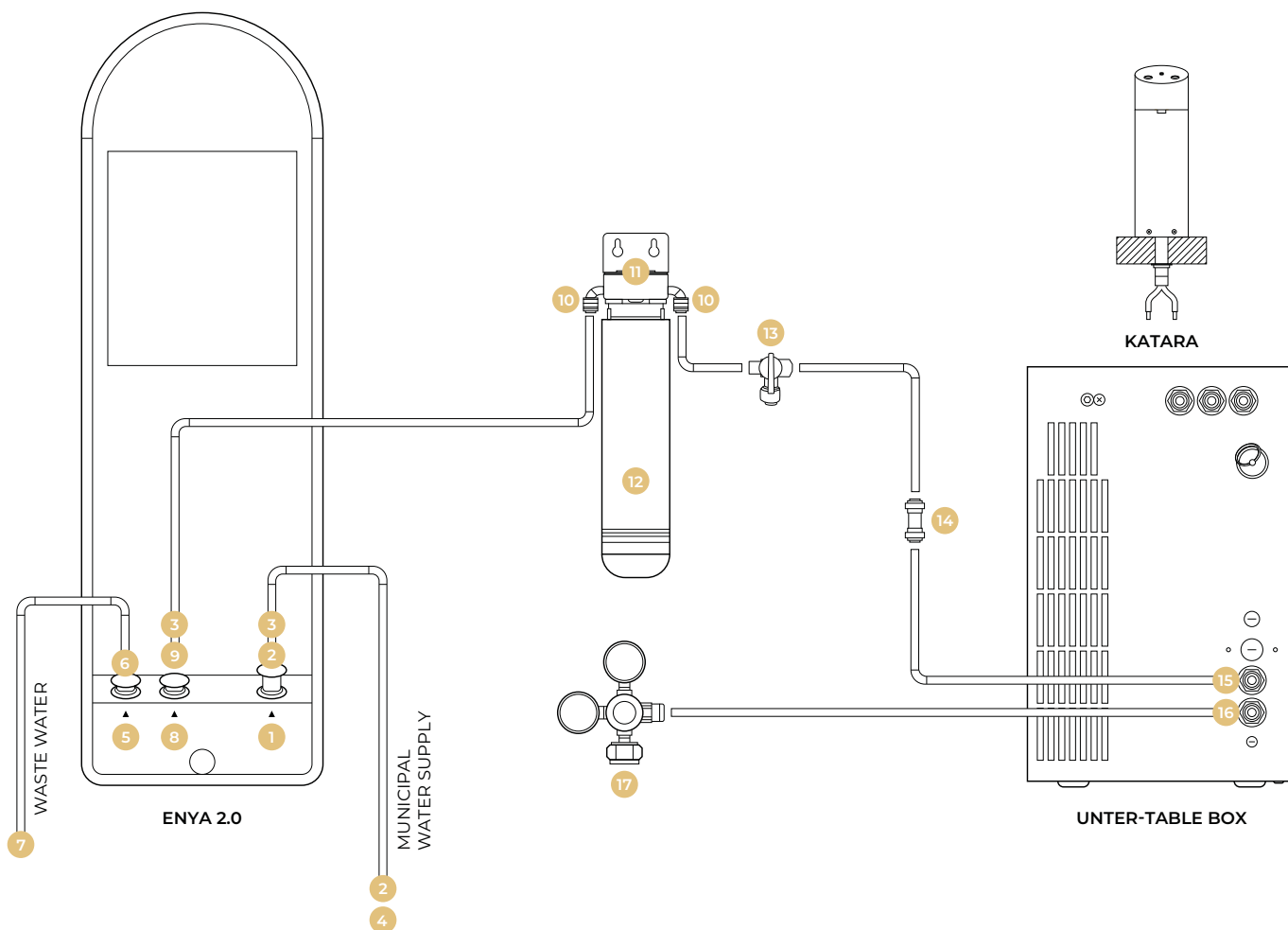
**How to set the pressure correctly:**

If the device switches off earlier than 20 seconds, turn the valve (as shown in the picture) counterclockwise (to the left) approx. 1-2 mm to extend the production time.

If the device switches off after more than 30 seconds, turn the valve clockwise (to the right) by approx. 1-2 mm (as shown in the image) to reduce the production time.

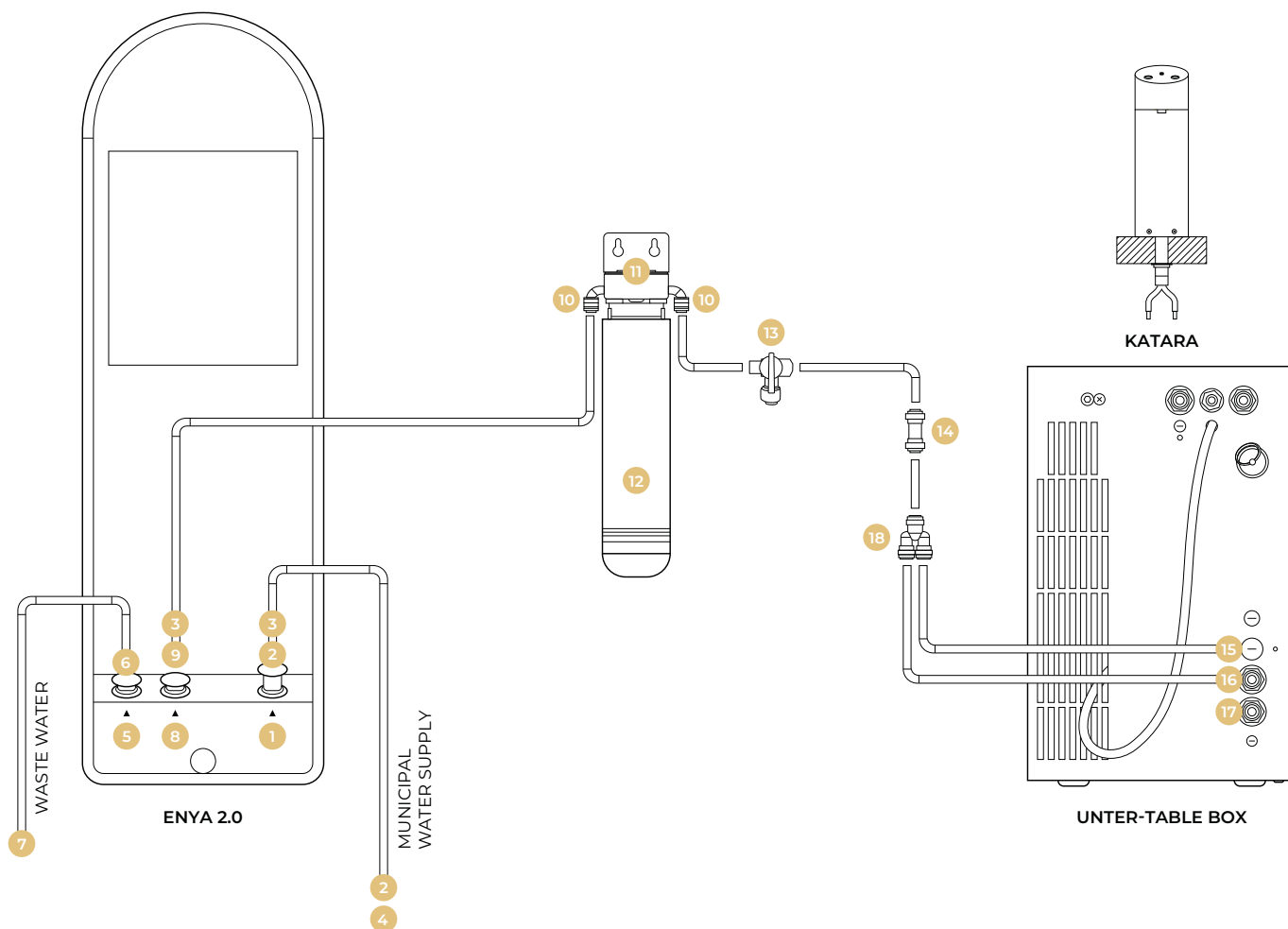
After each adjustment (adjustment of the valve), please tap CO<sub>2</sub> water and check the running time.

## Connection of KATARA with ENYA 2.0 Model FIZZ



- 1 INLET WATER (connection supply line)
- 2 Reducing piece 3/8 x 5/16 (1x at the rear of the device and 1x on the cold water adapter)
- 3 Plug 5/16 (1x at the rear of the device INLET WATER and 1x at the rear of the device PURE WATER)
- 4 Cold water adapter
- 5 WASTE WATER (drain connection)
- 6 Plug 3/4 (at the rear of the appliance at WASTE WATER)
- 7 Drain clamp
- 8 PURE WATER (water filter connection)
- 9 Connector 1/4 x 5/16
- 10 Corner connector 3/8 x 5/16
- 11 Germ barrier head
- 12 BackSafety
- 13 Shut-off valve 5/16
- 14 Check valve 5/16
- 15 H<sub>2</sub>O inlet
- 16 CO<sub>2</sub> inlet
- 17 CO<sub>2</sub> pressure reducer (mod. FIZZ)

## Connection of KATARA with ENYA 2.0 Model HOT



- 1 INLET WATER (connection supply line)
- 2 Reducing piece 3/8 x 5/16 (1x at the rear of the device and 1x on the cold water adapter)
- 3 Plug 5/16 (1x at the rear of the device INLET WATER and 1x at the rear of the device PURE WATER)
- 4 Cold water adapter
- 5 WASTE WATER (drain connection)
- 6 Plug 3/4 (at the rear of the appliance at WASTE WATER)
- 7 Drain clamp
- 8 PURE WATER (water filter connection)
- 9 Connector 1/4 x 5/16
- 10 Corner connector 3/8 x 5/16
- 11 Germ barrier head
- 12 BackSafety
- 13 Shut-off valve 5/16
- 14 Check valve 5/16
- 15 Hot water inlet (mod. HOT)
- 16 H<sub>2</sub>O inlet
- 17 CO<sub>2</sub> inlet
- 18 Y connector 5/16 (Mod. HOT)

# BOX 30 FIZZ / KATARA



Pos.	Code	Description
01	760635	Spare box back panel
02	760215	Spare box left side panel
<b>03</b>	<b>760060</b>	<b>Spare level control DC 230V with retrofit cable</b>
<b>04</b>	<b>760035</b>	<b>Spare 1l carbonator boiler (1 sample)</b>
05	760609	Spare insulation cap
06	760188	Spare lid
<b>07</b>	<b>760033</b>	<b>Spare pump 220-240V 50/60Hz 135 PSI</b>
<b>08</b>	<b>760032</b>	<b>Spare fan 120x120x25 230V under-counter</b>
<b>09</b>	<b>760187</b>	<b>Spare thermostat dry cooling</b>
10	760217	Spare main switch green light
11	760636	Spare air duct for box
12	760080	Spare IEC plug
13	760064	Spare 2m power cable with Schuko plug
14	760216	Spare box right side panel
15	760079	Spare set of 4 rubber feet D32/H16mm with hole
J01	760073	Spare set of 10 pcs. 8mm-8mm bulkhead connector with ring nut
J02	760097	Spare set of 10 pcs. angle connector D8mm-8mm PM220808E
J04	760173	Spare flow regulator 8mm
<b>J05</b>	<b>760071</b>	<b>Spare pre-assembled kit for safety valve 420mm</b>
J06	760607	Spare set of 10 pcs. T-connector 5/16" Superseal
P01	760089	Spare 10m black PE pipe D8mm
P02	760090	Spare 10m CO2 PE hose D5/16"

Recommended spare parts for normal maintenance and repair work.

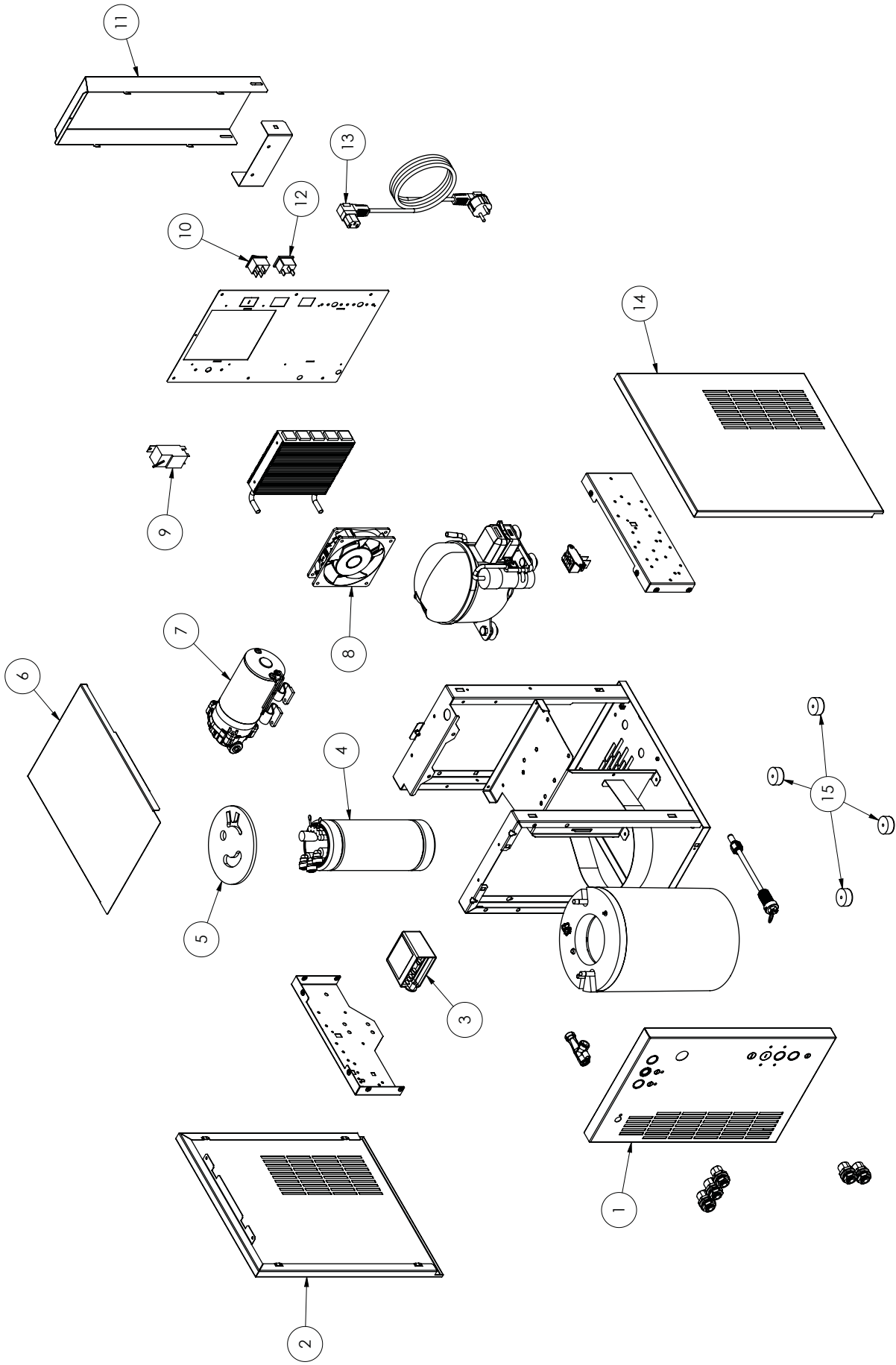
## DOCUMENTS:

**Exploded view**  
**AS000038\_X02\_00**

**Flow diagram**  
**FS000018\_00**

**Electrical diagram**  
**ES000144\_00**

# BOX 30 FIZZ / KATARA



EXPLODED VIEW N.

AS000038\_X02

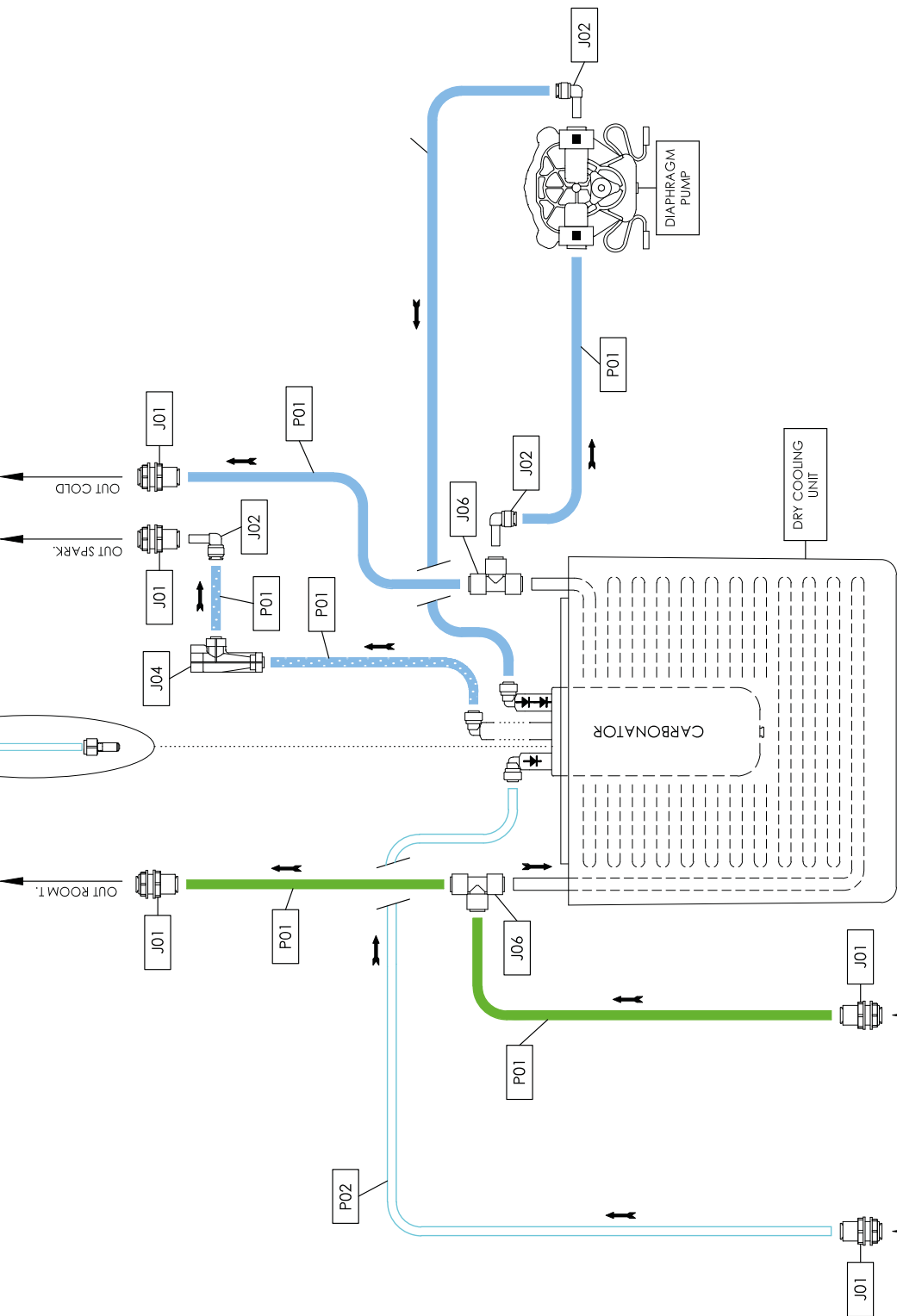
REV.

00



NOT-TO-SCALE DRAWING. THE PARTS SHOWN IN THE EXPLODED VIEW ARE ONLY REPRESENTATIVE OF THE ELECTRICAL AND MECHANICAL FUNCTIONALITY.

AMBIENT WATER (ROOM T.)	8
COLD WATER	7
SPARKING WATER	6
HOT WATER	5
CO2 (GAS)	4
STEAM PURGE	3
FLOW DIRECTION	2
EXPLODE LINE	1
SERVICE PIPE	A

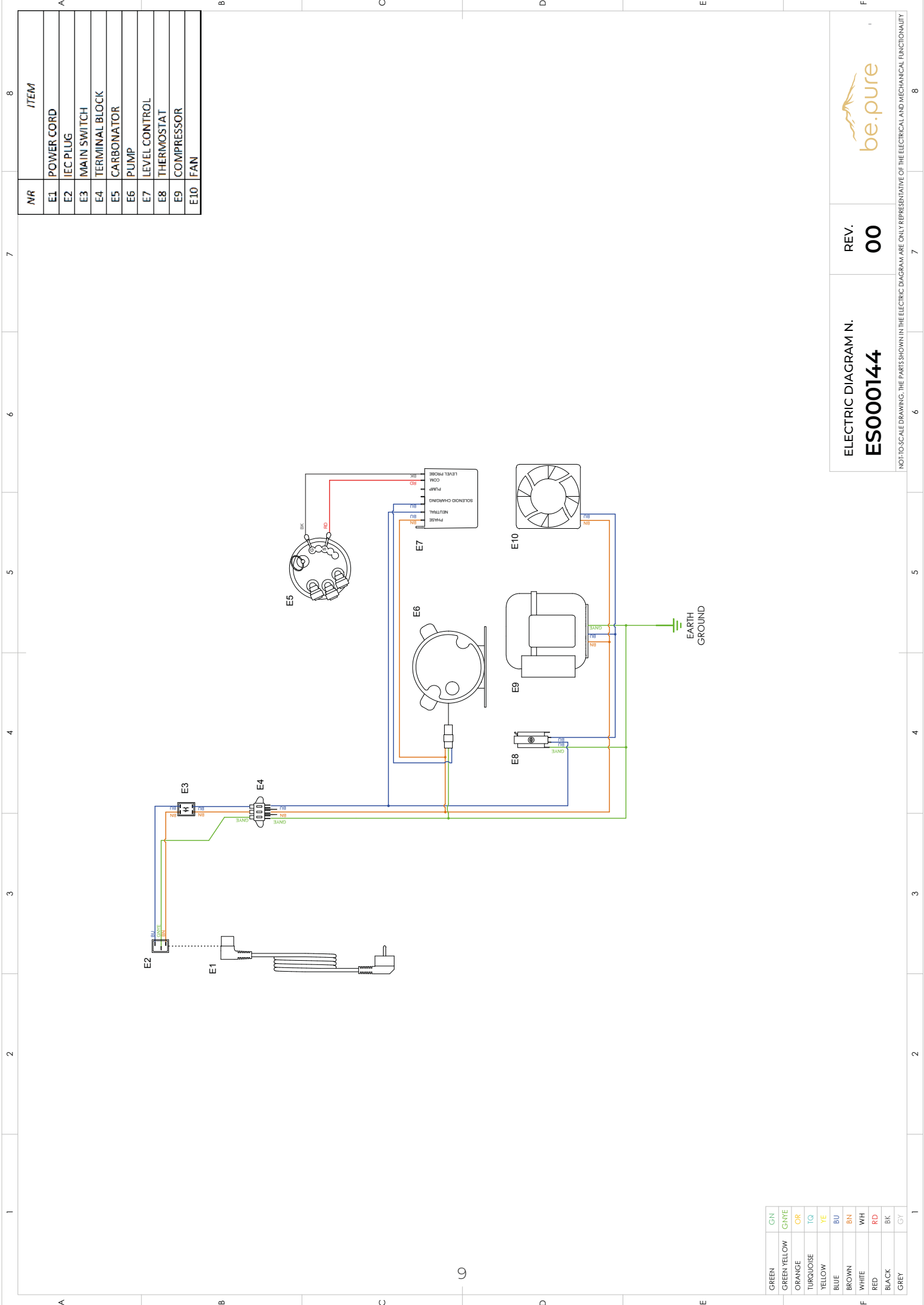


FLOW DIAGRAM N.  
**FS000018**

REV. **00**



NOT TO SCALE DRAWING. THE PARTS SHOWN IN THE FLOW DIAGRAM ARE ONLY REPRESENTATIVE OF THE ELECTRICAL AND MECHANICAL FUNCTIONALITY.



1 2 3 4 5 6 7 8

A B C D E F

NR	ITEM
E1	POWER CORD
E2	IEC PLUG
E3	MAIN SWITCH
E4	TERMINAL BLOCK
E5	CARBONATOR
E6	PUMP
E7	LEVEL CONTROL
E8	THERMOSTAT
E9	COMPRESSOR
E10	FAN

GREEN	GN
GREEN YELLOW	GNYE
ORANGE	OR
TURQUOISE	TO
YELLOW	YE
BLUE	BU
BROWN	BN
WHITE	WH
RED	RD
BLACK	BK
GREY	GY

ELECTRIC DIAGRAM N.  
**ES000144**

REV.  
**00**



NOT TO SCALE DRAWING. THE PARTS SHOWN IN THE ELECTRIC DIAGRAM ARE ONLY REPRESENTATIVE OF THE ELECTRICAL AND MECHANICAL FUNCTIONALITY

1 2 3 4 5 6 7 8

# BOX 30 HOT FIZZ / KATARA



Pos.	Code	Description
01	760635	Spare box back panel
02	760215	Spare box left side panel
<b>03</b>	<b>760060</b>	<b>Spare level control DC 230V with retrofit cable</b>
<b>04</b>	<b>760035</b>	<b>Spare 1l carbonator boiler (1 sample)</b>
05	760609	Spare insulation cap
<b>06</b>	<b>760784</b>	<b>Spare boiler 1l 230V under-counter</b>
07	760188	Spare lid
<b>08</b>	<b>760033</b>	<b>Spare pump 220-240V 50/60Hz 135 PSI</b>
<b>09</b>	<b>760032</b>	<b>Spare fan 120x120x25 230V under-counter</b>
<b>10</b>	<b>760187</b>	<b>Spare thermostat dry cooling</b>
11	760070	Spare switch red light
12	760217	Spare main switch green light
13	760080	Spare IEC plug
14	760636	Spare air duct for box
15	760064	Spare 2m power cable with Schuko plug
<b>16</b>	<b>760785</b>	<b>Spare mechanical thermostat hot</b>
17	760216	Spare box right side panel
18	760079	Spare set of 4 rubber feet D32/H16mm with hole
J01	760073	Spare set of 10 pcs. 8mm-8mm bulkhead connector with ring nut
J02	760097	Spare set of 10 pcs. angle connector D8mm-8mm PM220808E
J03	760031	Spare set of 10 pcs. T-piece 8mm PM0208E
J04	760173	Spare flow regulator 8mm
J05	760099	Spare set of 10 pcs. angle connector 8mm-8mm HUL0808B
<b>J06</b>	<b>760071</b>	<b>Spare pre-assembled kit for safety valve 420mm</b>
J07	760538	Spare set of 5 pcs. check valve 5/16" HCVU0808B
J08	760685	Spare part set of 10 pcs. HLJ0808B angle plug fitting SF 8mm-8mm
J09	760480	Spare set of 10 pcs. rotatable angle piece D8-1/4"m with o-ring NSF E2305043
J10	761164	Spare set of 10 pcs. bulkhead connector 8 HOT OT57
J12	760503	Spare HOT safety valve 6bar 1/8" m
J13	760607	Spare set of 10 pcs. T-connector 5/16" superseal
P01	760089	Spare 10m black PE pipe D8mm
P02	760090	Spare 10m CO2 PE hose D5/16"
P03	760092	Spare 5m PTFE hose HOT D8mm
P04	760515	Spare 5m HOT safety valve silicone tube D4x7mm not food-grade

Recommended spare parts for normal maintenance and repair work.

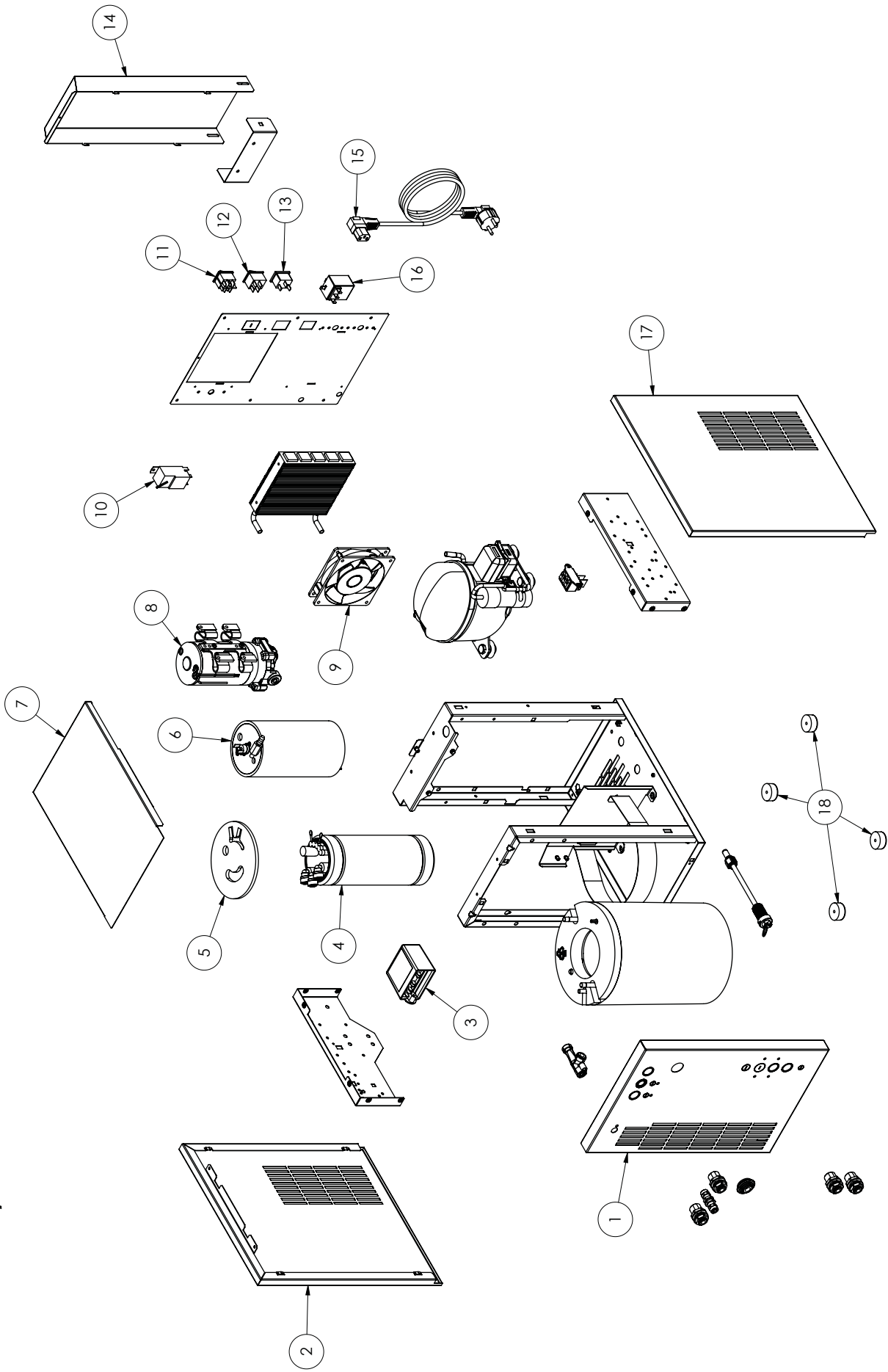
## DOCUMENTS:

**Exploded view**  
AS000038\_X04\_00

**Flow diagram**  
FS000030\_00

**Electrical diagram**  
ES000105\_00

# BOX 30 HOT FIZZ / KATARA



EXPLODED VIEW N.

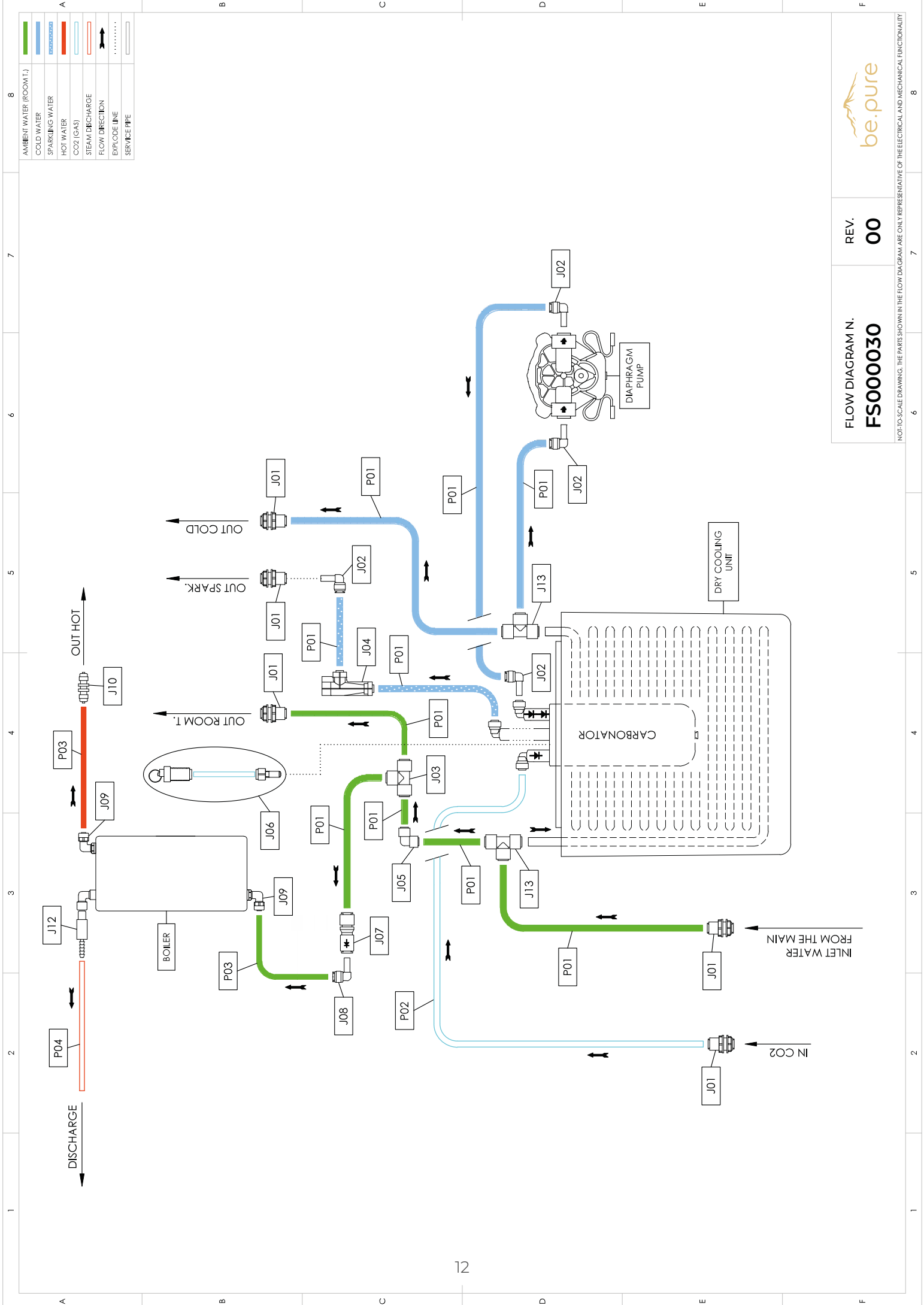
AS000038\_X04

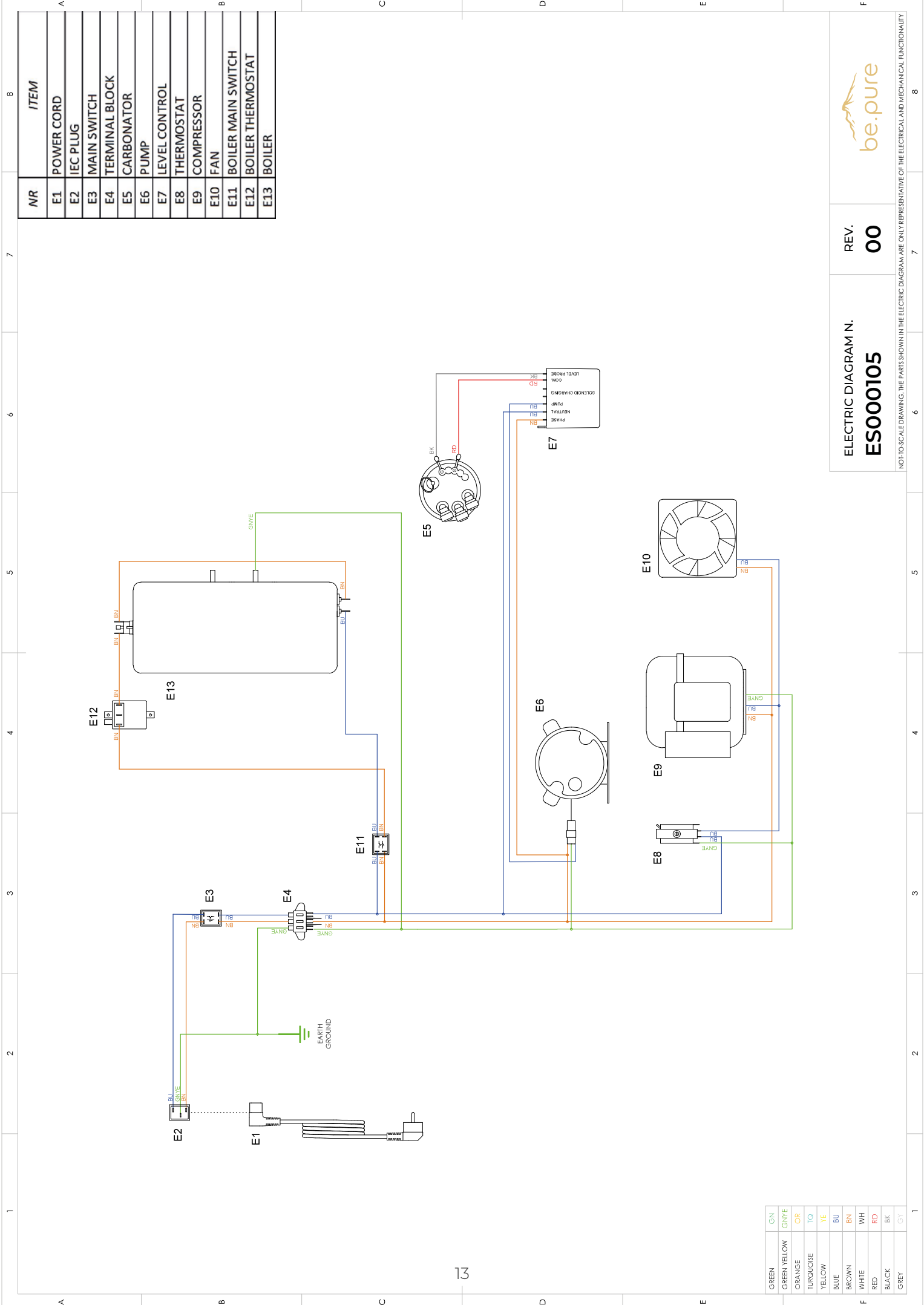
REV.

00



NOT-TO-SCALE DRAWING. THE PARTS SHOWN IN THE EXPLODED VIEW ARE ONLY REPRESENTATIVE OF THE ELECTRICAL AND MECHANICAL FUNCTIONALITY.





NR	ITEM
E1	POWER CORD
E2	IEC PLUG
E3	MAIN SWITCH
E4	TERMINAL BLOCK
E5	CARBONATOR
E6	PUMP
E7	LEVEL CONTROL THERMOSTAT
E8	THERMOSTAT
E9	COMPRESSOR
E10	FAN
E11	BOILER MAIN SWITCH
E12	BOILER THERMOSTAT
E13	BOILER

GREEN	GN
GREEN YELLOW	GNVE
ORANGE	OR
TURQUOISE	TQ
YELLOW	YE
BLUE	BU
BROWN	BN
WHITE	WH
RED	RD
BLACK	BK
GREY	GY

ELECTRIC DIAGRAM N.  
**ES000105**

REV.  
**00**



NOT TO SCALE DRAWING. THE PARTS SHOWN IN THE ELECTRIC DIAGRAM ARE ONLY REPRESENTATIVE OF THE ELECTRICAL AND MECHANICAL FUNCTIONALITY



**be.pure**

Billing address:

Große Sperlgasse 8/2/34 · 1020 Vienna · Austria  
[www.bepure-water.com](http://www.bepure-water.com) · [office@bepure-water.com](mailto:office@bepure-water.com)